



Series 4000

- Compact
- Sturdy
- Reliable
- Easy operation
- Short changeover
- Versatile

EME Series 4000 label dispensers are characterized by its industrial and compact design. The narrow housing and the separate controller means that Series 4000 can be installed where space is tight and still be easy to use in daily life.

Series 4000 is our "heavy duty" industrial dispenser. Build to be used many hours every day - it withstands heavy load and requires a minimum of maintenance. The very powerful stepper motor provides silent and precise labeling.

When connecting an encoder the dispenser will adjust the actual speed continuously - even while dispensing is in progress. This makes Series 4000 ideal for applications running intermittent mode or applications running variable speed - EME Series 4000 will follow!

Series 4000 is available in different versions all based on the same basic module. The difference lies solely in the maximum possible label width and diameter of the label roll. The controller's backlit display and 16 keys with icons makes the daily operation easy and intuitive.

The controller can store up to 25 different labeling programs incl. settings for external devices - it means very short changeover times.



Model

Label, maximum width incl. carrier
 Label, minimum width incl. carrier
 Label length, minimum
 Label length, maximum
 Speed, variable from
 Labels per minute, up to
 Label roll, maximum O.D.
 Label roll, minimum I.D.
 5-phase stepper motor with micro stepping
 Controller, microprocessor/keyboard with icons
 Backlit LCD display
 Menu languages
 Memory in controller for
 Weight (controller)
 Weight (dispenser, without labels)
 Power / consumption

4-120	4-200	4-250	4-300
120mm	200mm	250mm	300mm
15mm			
10mm			
Standard: 250mm - Option: 999mm			
0-40m/min.	0-30m/min.	0-30m/min.	0-30m/min.
500	200	200	200
Standard Ø270mm - Option: 310mm or 400mm			
Minimum 40 mm (3' / 76mm recommended)			
Yes			
Yes			
Yes			
Danish, Swedish, Norwegian, English, German, French, Polish, Dutch			
25 labeling programs			
7 kilo			
16 kg	22 kg	24 kg	26 kg
230VAC 50/60Hz / max. 250 watt in operation			

Options:

Moveable dispenser tongue
 Label gap micro switch
 Ultrasonic sensor
 Motorized label off-winder
 Encoder (tacho)
 Message for "label roll near end"
 Message for "end of labels"
 Beacon
 Counter functions
 Key lock facility
 Hot-stamp
 TTO-printer (ThermalTransferOverprinting)
 External signal interface (I/O)

Spring-loaded or pneumatic (variable product height or product contour)
 When using transparent labels
 When using both transparent and opaque labels.
 Recommended for heavy label rolls and demand for low tolerances/high speed.
 For step less varying dispensing speed (continuously adjusted while dispensing)
 From I/O, requires beacon
 Text message in controller
 For visualization of above signals.
 Continuous counting. Other functionality on request.
 To prevent changes in memory settings
 The EME S4000 controller can control EME M01 hot-stamp unit (timings, temperature etc.)
 Brackets available for Markem-Imaje 8018 and ICE Pegasus. Other models on request.
 For controlling an optional product separator, reject-system etc. Makes it also possible to integrate vision, barcode scanner, sensors etc.

Hot-Stamp / Hot-foil coder
EME M01
 Print area 12x30mm / 30x12mm



Thermal transfer print 200dpi
Markem-Imaje 18i
 Print area 32x40mm / 40x32mm

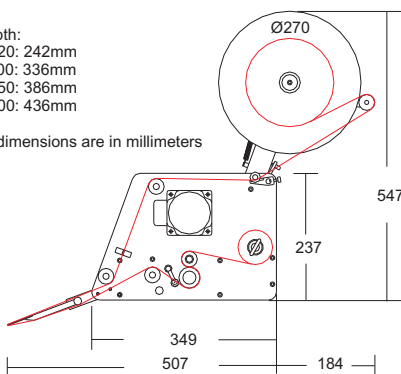


Thermal transfer print 300dpi
ICE Pegasus
 Print area 32x30mm / 30x32mm



Depth:
 4-120: 242mm
 4.200: 336mm
 4-250: 386mm
 4-300: 436mm

All dimensions are in millimeters



Model 4-120LH (Left-Hand)



Model 4-120RH (Right-Hand)

Specifications are liable to change without prior notice.

